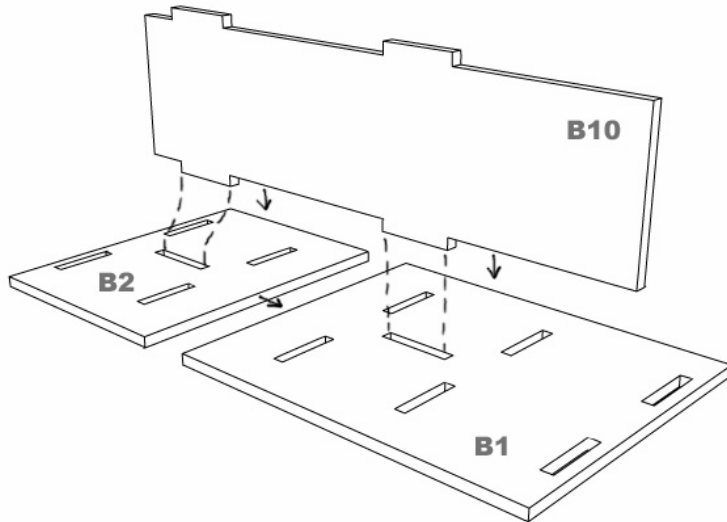


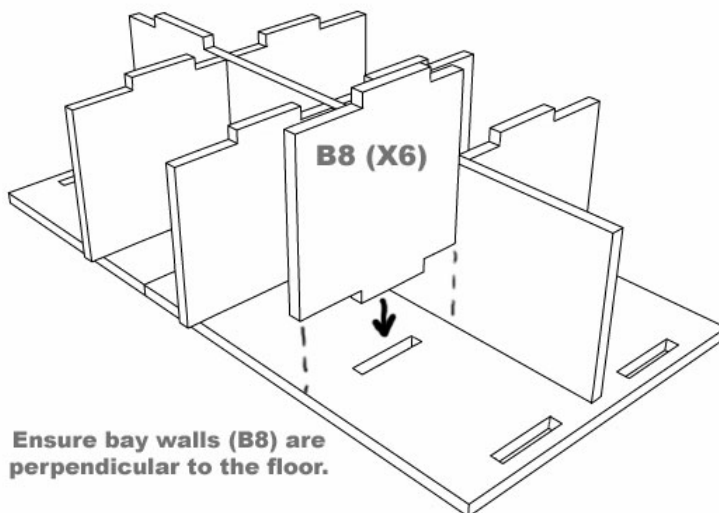
Hercules Assembly Instructions

Step 1



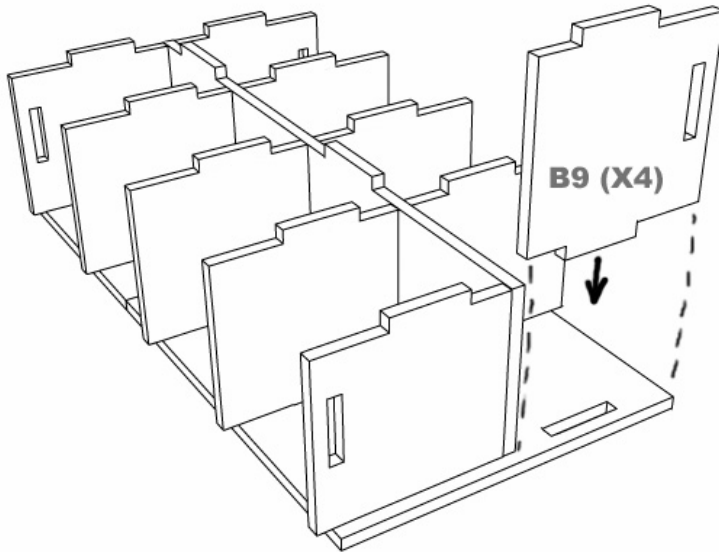
Glue the floor of the CAV bay together (B1 & B2). Glue the bay center wall (B10) to the floor.

Step 2



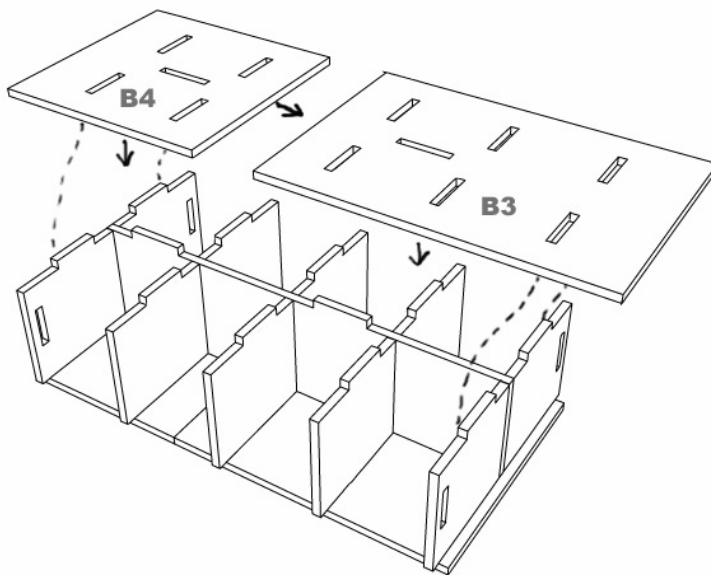
Apply glue to the edges of the bay walls (B6) where they meet the floor and center wall. Insert the walls into the six central floor slots.

Step 3



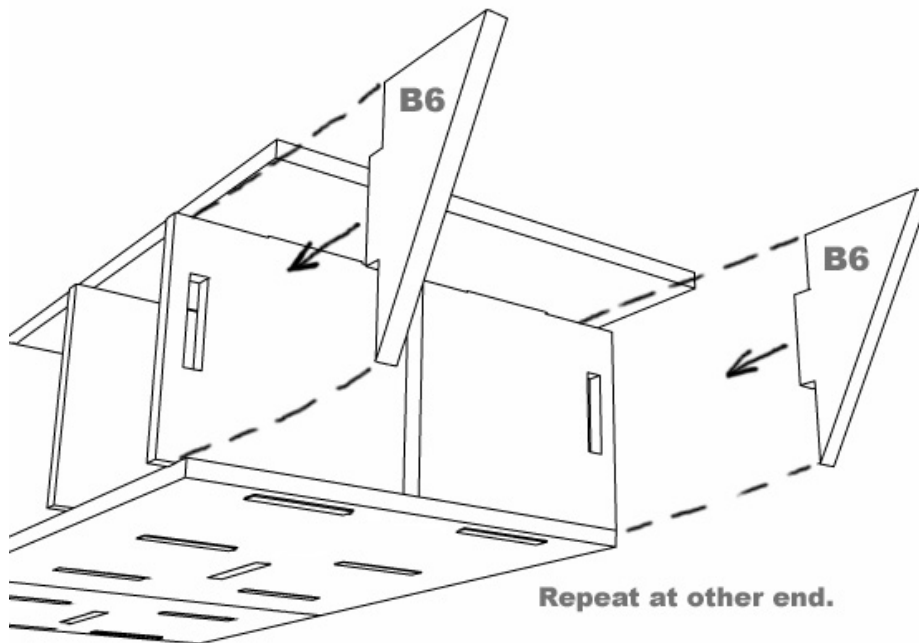
Glue the end walls (B9) into place.

Step 4



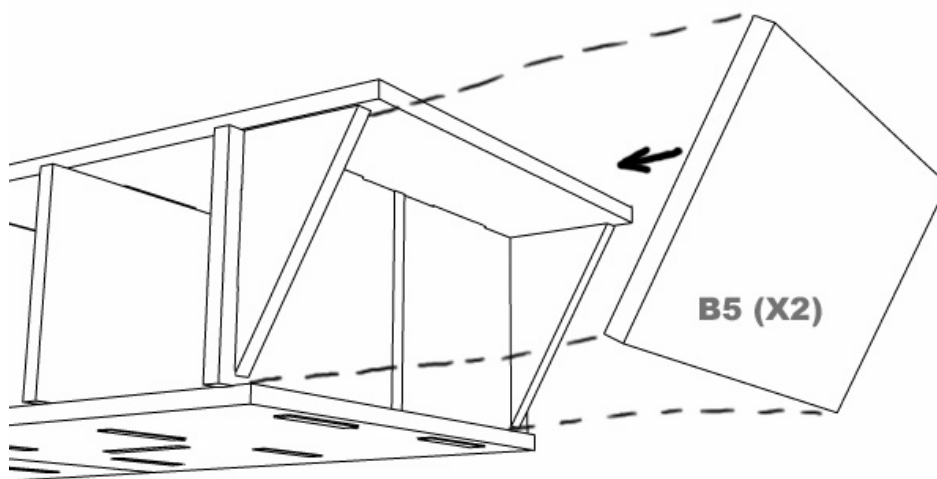
Lining up wall tabs with roof slots, attach CAV bay roof (B3 & B4).

Step 5



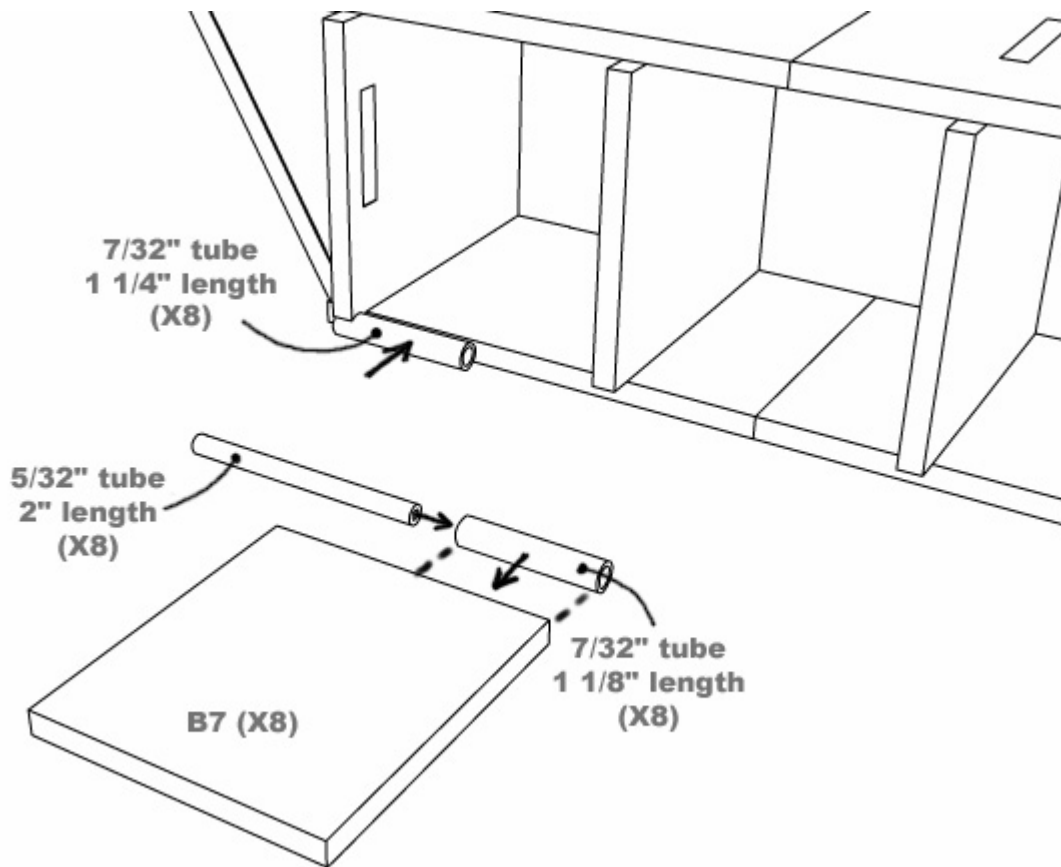
Glue two B6 parts to each end of the CAV bay as shown.

Step 6



Glue B5 parts to each end of the CAV bay.

Step 7



For each door:

Cut a 1 1/8" length of 7/32" diameter styrene tube and glue to the bottom of the door (B7) as shown.

Cut a 2" length of 5/32" diameter tube. Insert and glue the tube approximately 1" into the 7/32" tube. The small gap between the 5/32" tube and the bottom of the door should be kept clear of glue.

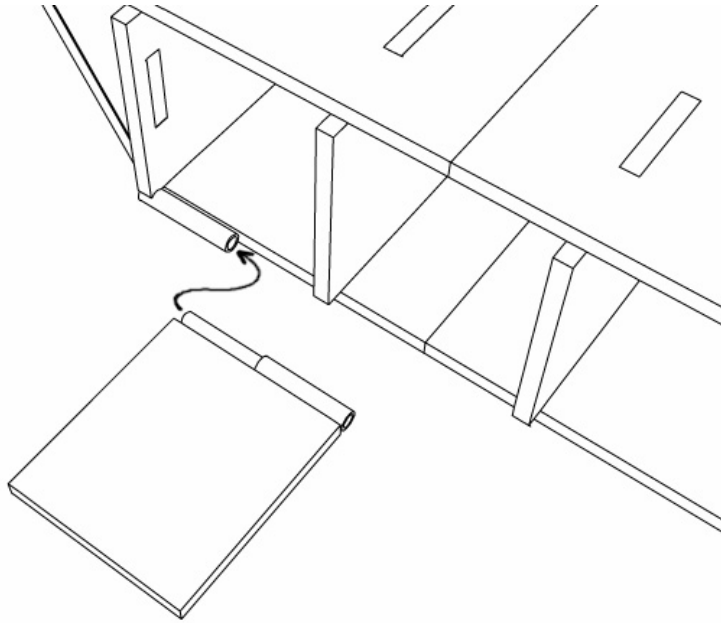
Cut a 1 1/4" length of 7/32" tube and glue it to the CAV bay as shown.

Note: To ensure a solid bond between the tubes and the foam core board, roughen or score the surface of the tubes where they will be attached.

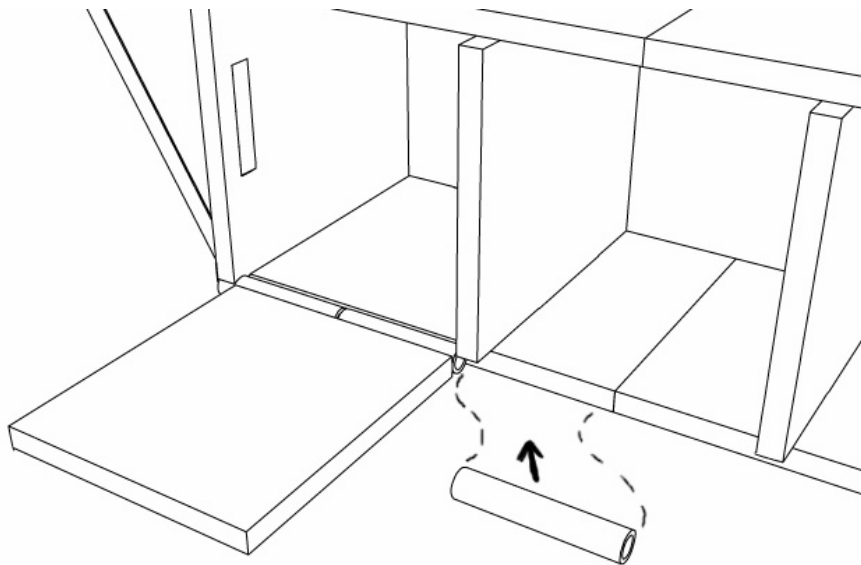
The tube assemblies may be attached to all doors at this stage, but the tubes glued to the CAV bay must be done one at a time, with each door installed before the next tube is added.

Optional: Glue door decals on (D3 & D4) and cut door "handles" *before* installing doors.

Step 8

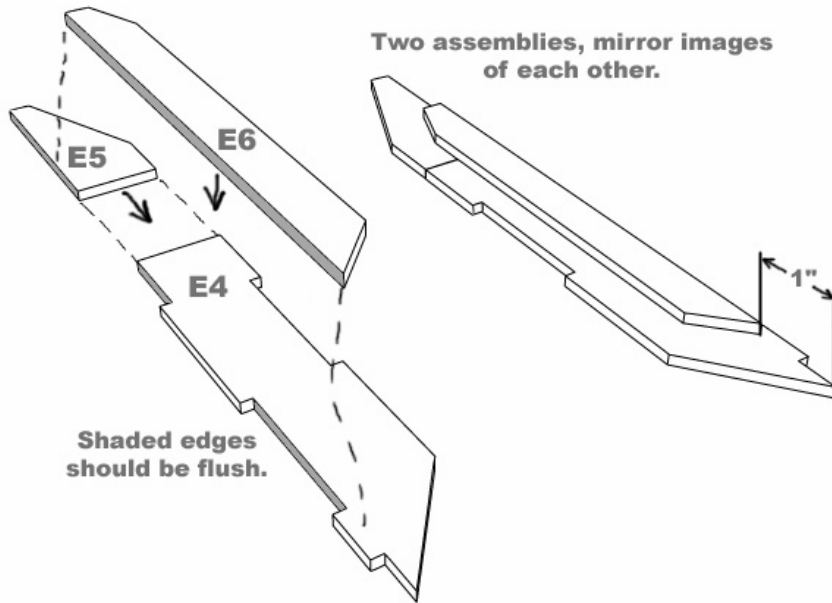


Insert the door assembly into the other half of the hinge. Then glue the next $7/32$ " tube into place at the bottom of the next bay door. Install doors in sequence like this for both sides.



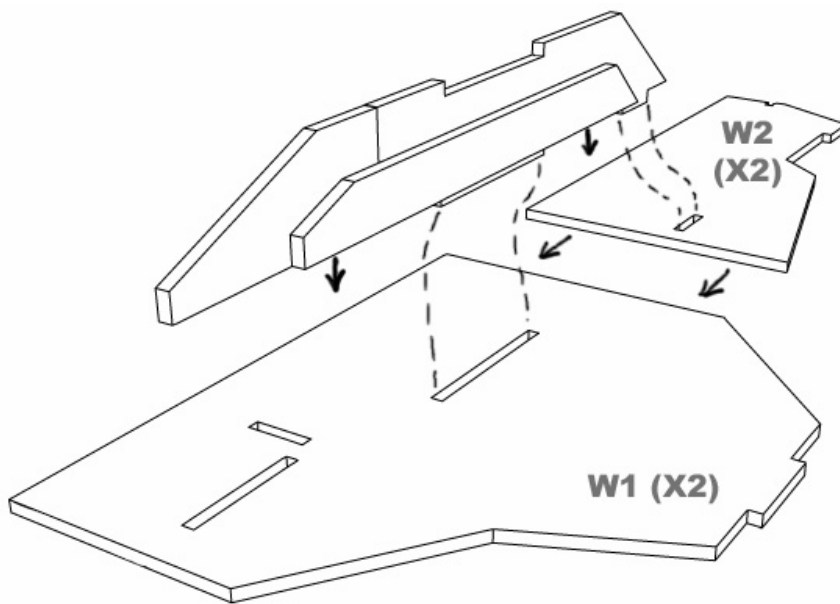
Install each door before attaching hinge part for next bay.

Step 9



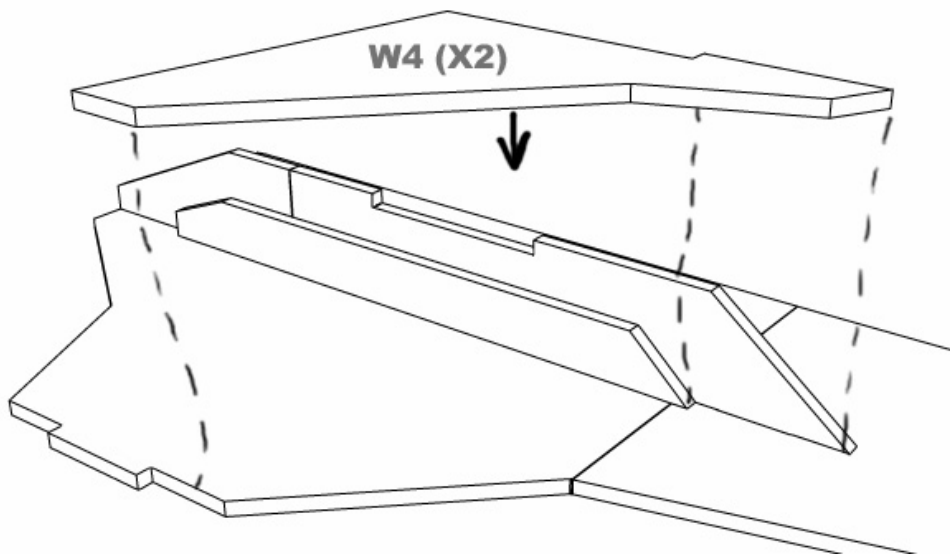
Glue engine side parts E4 and E5 together. Glue on part E6, placing the leading edge of E6 1" from the leading edge of E4. Repeat for the other side, creating a mirror image of the first assembly.

Step 10



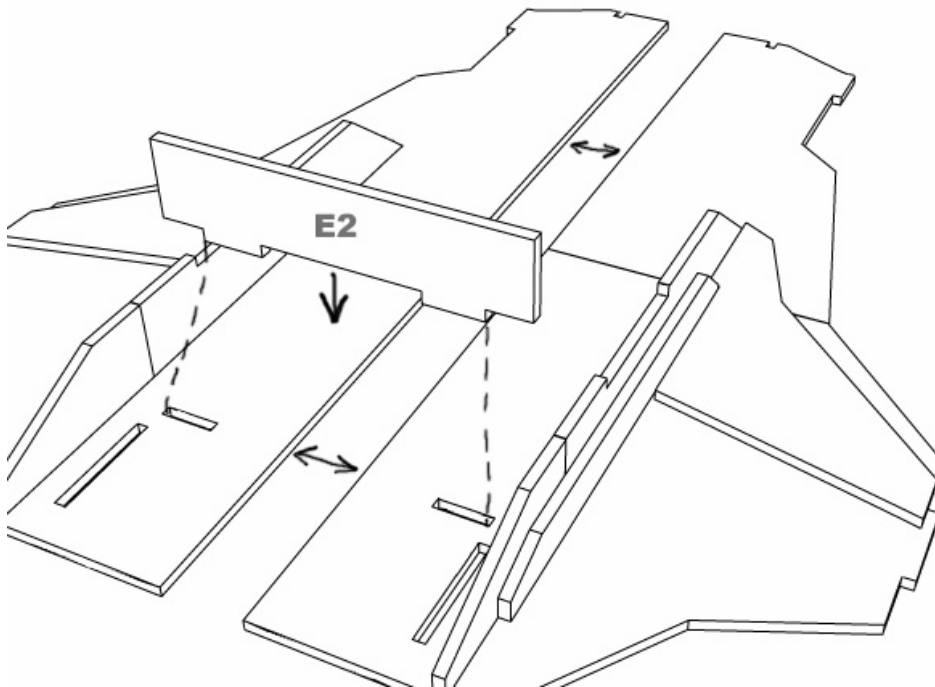
Glue wing parts W1 and W2 together (left and right). Attach the assemblies from Step 9.

Step 11



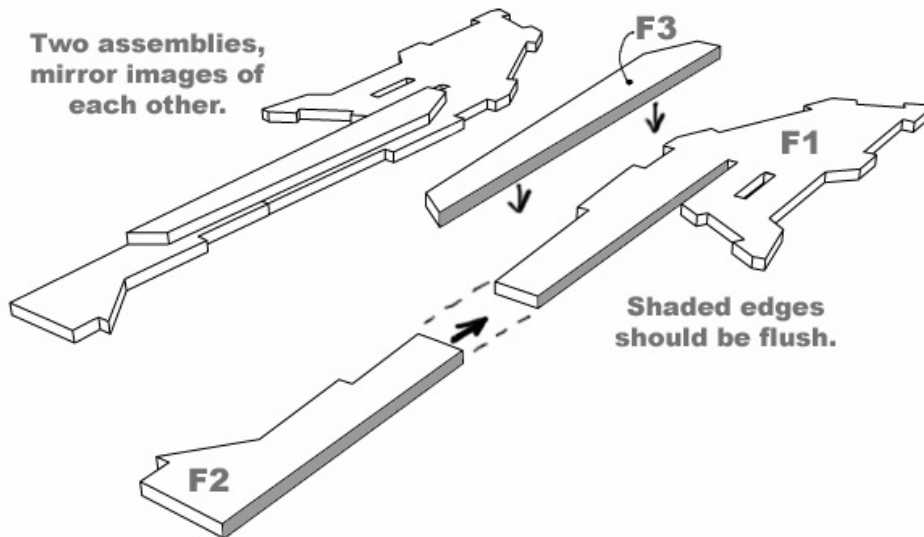
Glue wing parts W4 to the assemblies from Step 10.

Step 12



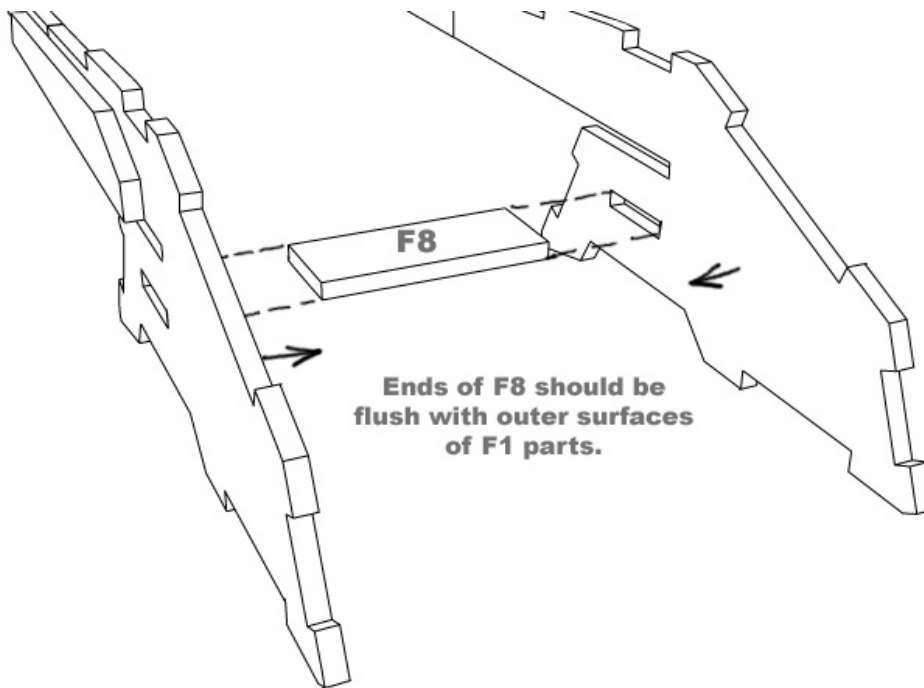
Glue the wing assemblies together. Glue the rear engine part E2 into place as shown to help hold the wings together.

Step 13



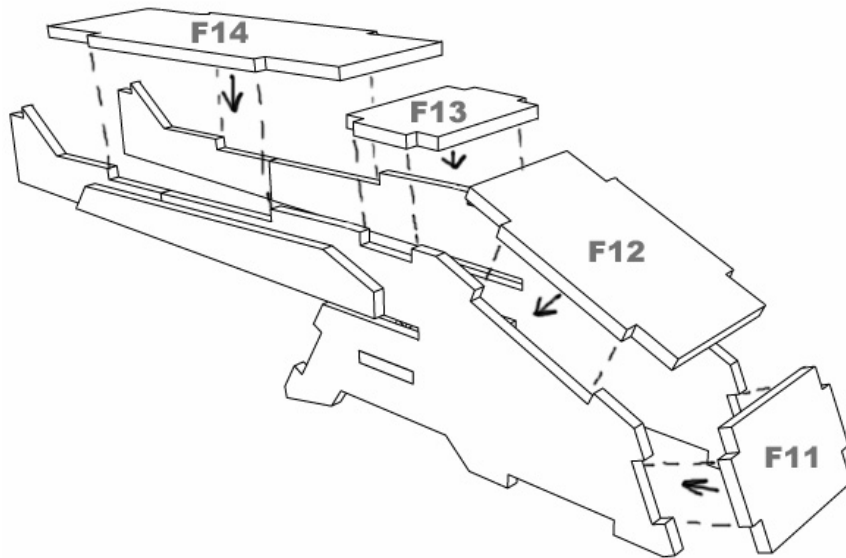
Glue fuselage parts F1 and F2 together (left and right). Attach F3 parts as shown, creating two assemblies that are mirror images of each other.

Step 14



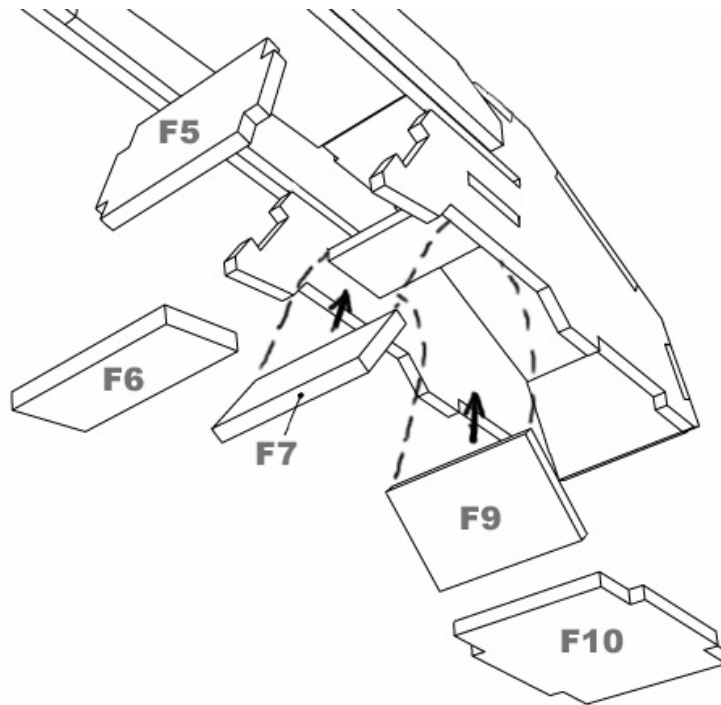
Glue part F8 into the slots as shown, attaching the assemblies from the previous step.

Step 15



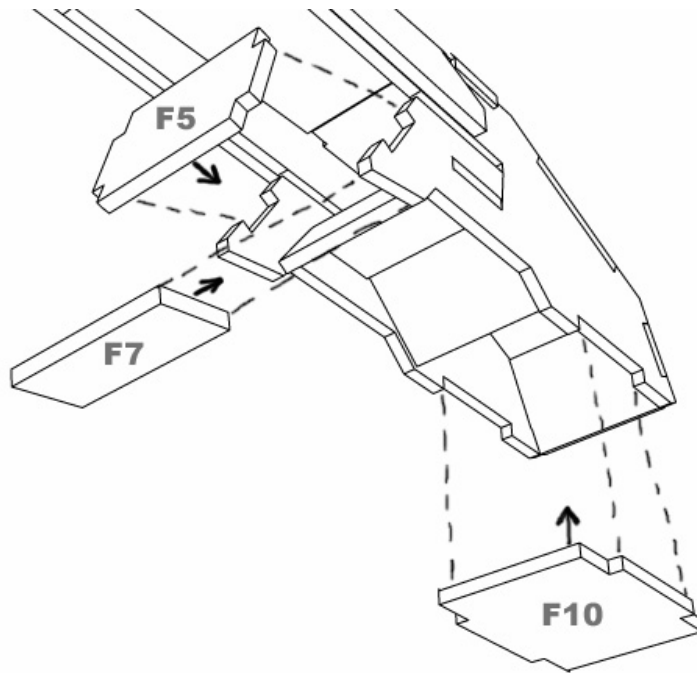
Glue fuselage parts F11-F14 into place as shown.

Step 16



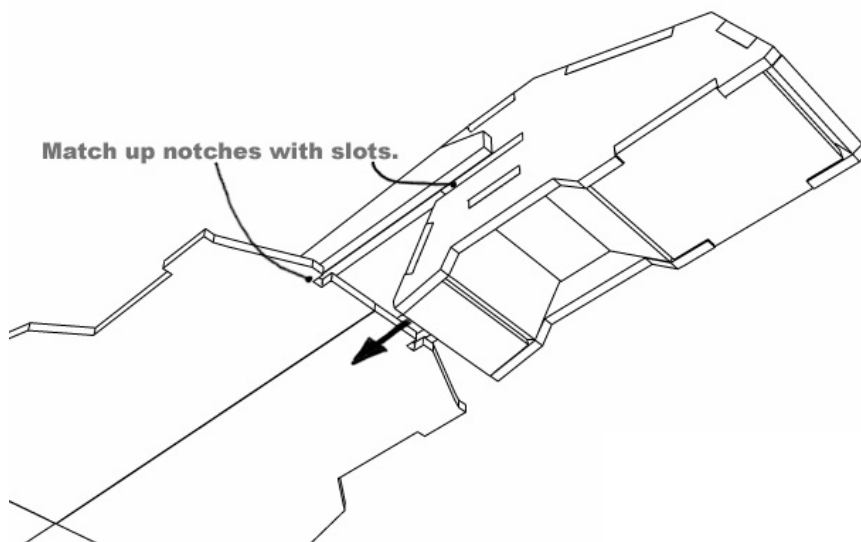
Glue parts F7 and F9 into place as shown. The upper edges of both parts should be in contact with F8.

Step 17



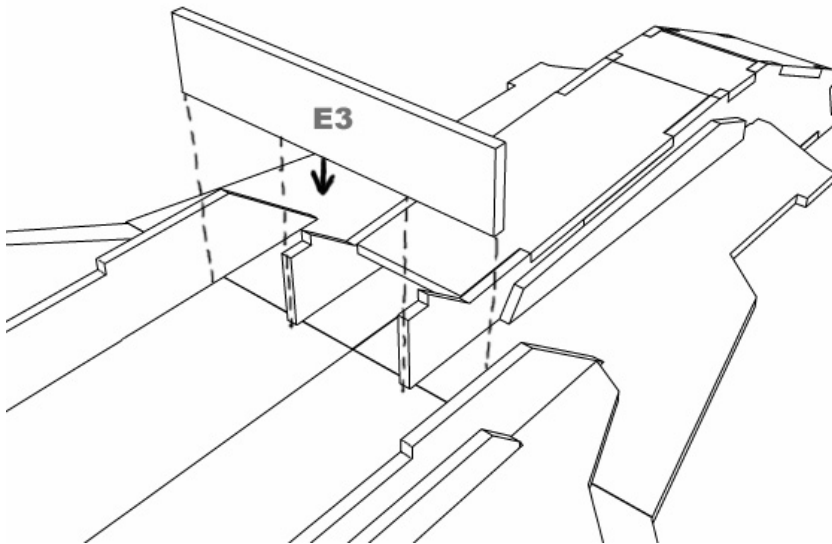
Glue parts F5, F7, and F10 into place as shown.

Step 18



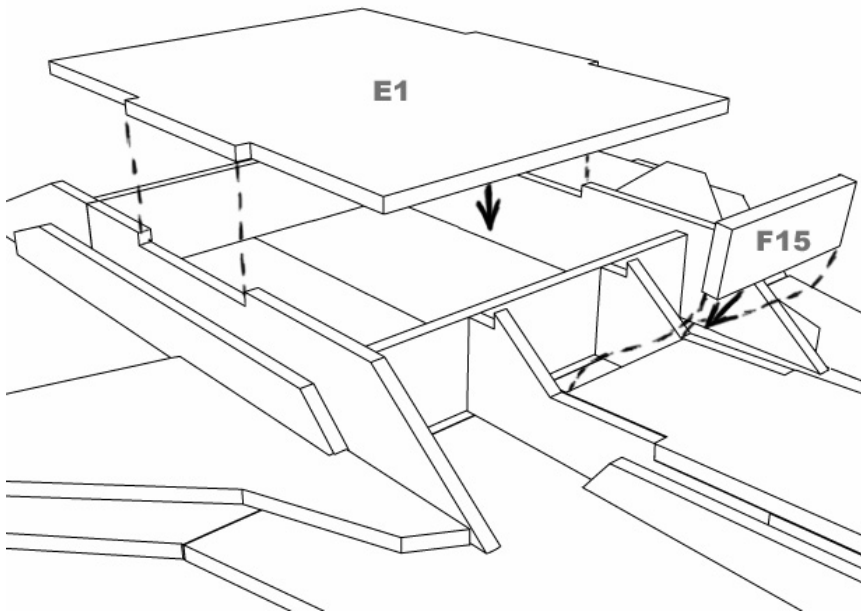
Apply glue and slide fuselage assembly from Step 17 onto wing assembly. Slots in fuselage should line up with notches in wing leading edge.

Step 19



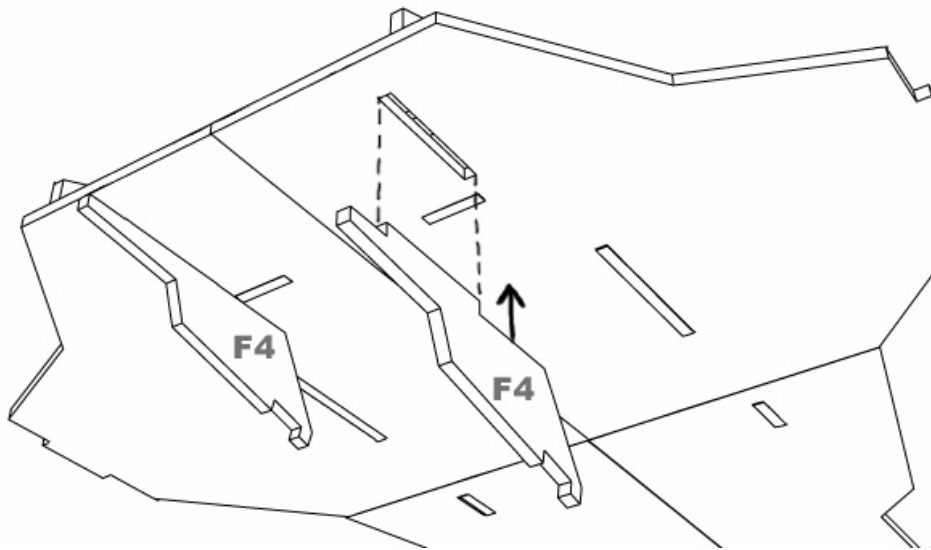
Glue engine intake part E3 into place just behind the fuselage.

Step 20



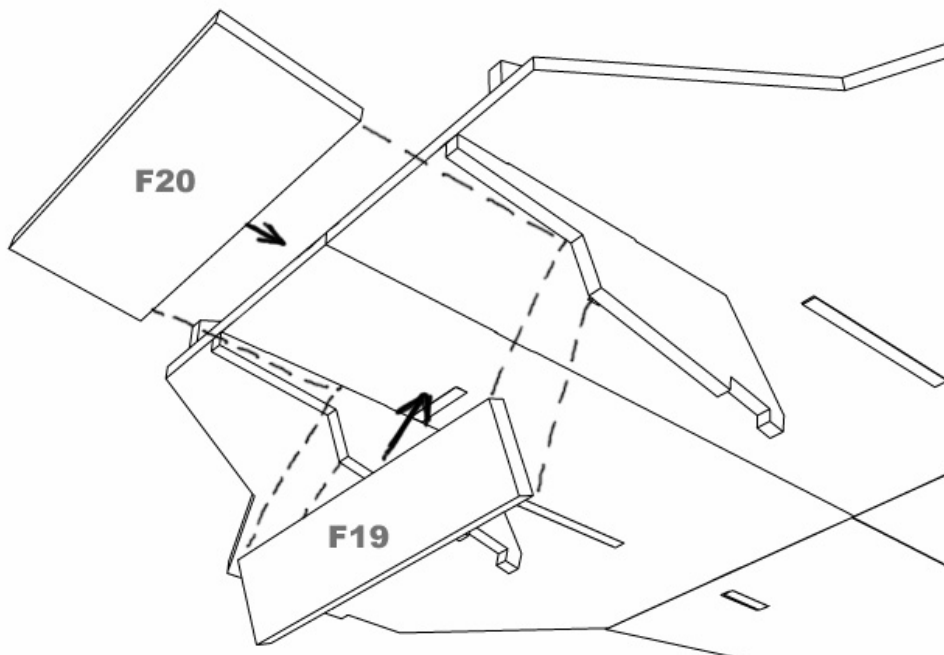
Glue part F15 into place to close off the open space at the back of the fuselage. Attach engine top E1 as shown.

Step 21



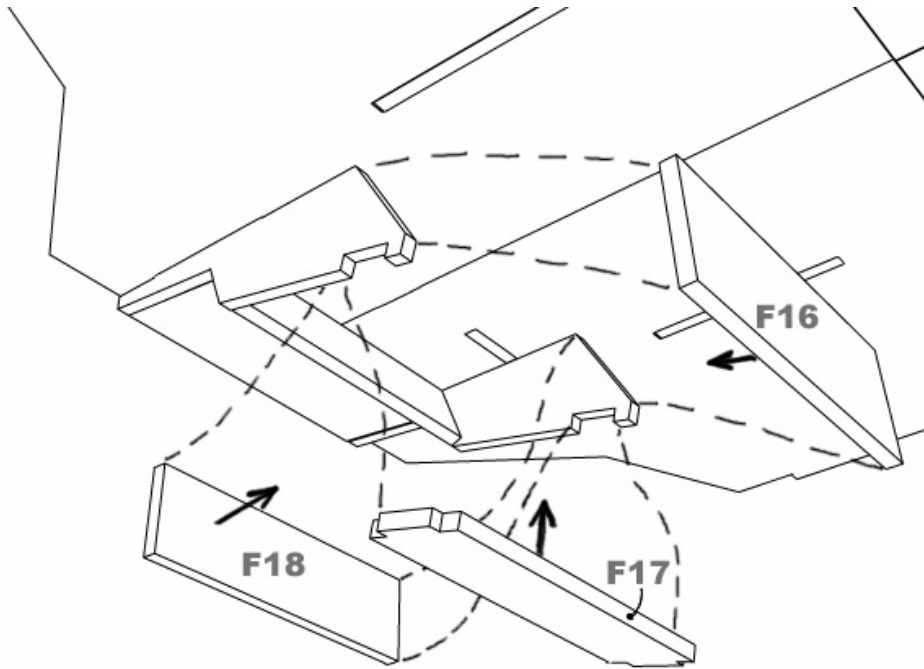
Glue F4 parts to the rear underside of the wings.

Step 22

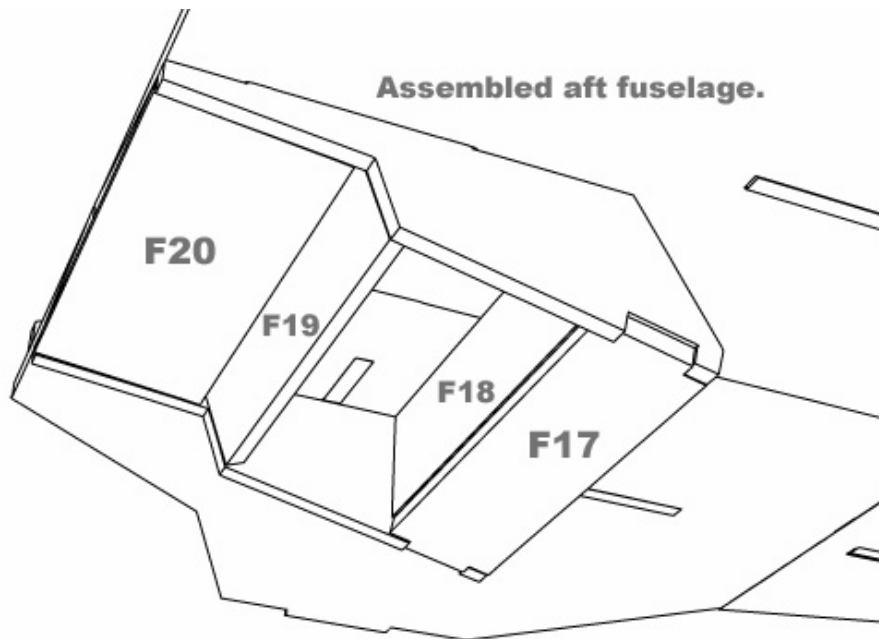


Glue aft fuselage parts F19 and F20 into place as shown.

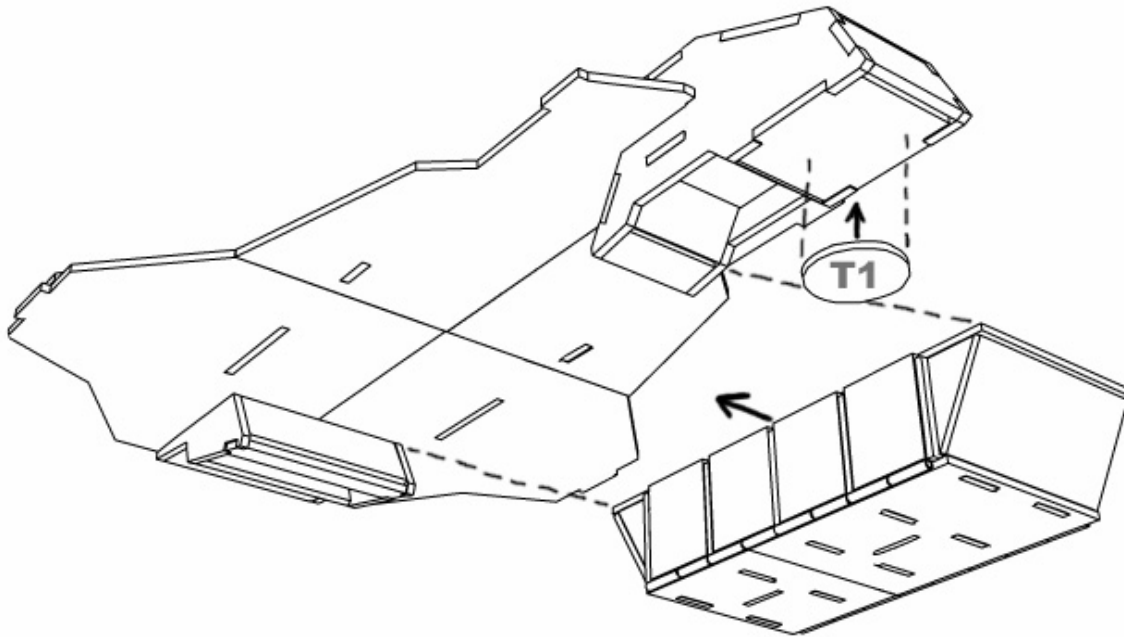
Step 23



Attach parts F16-F18. See the completed assembly below.



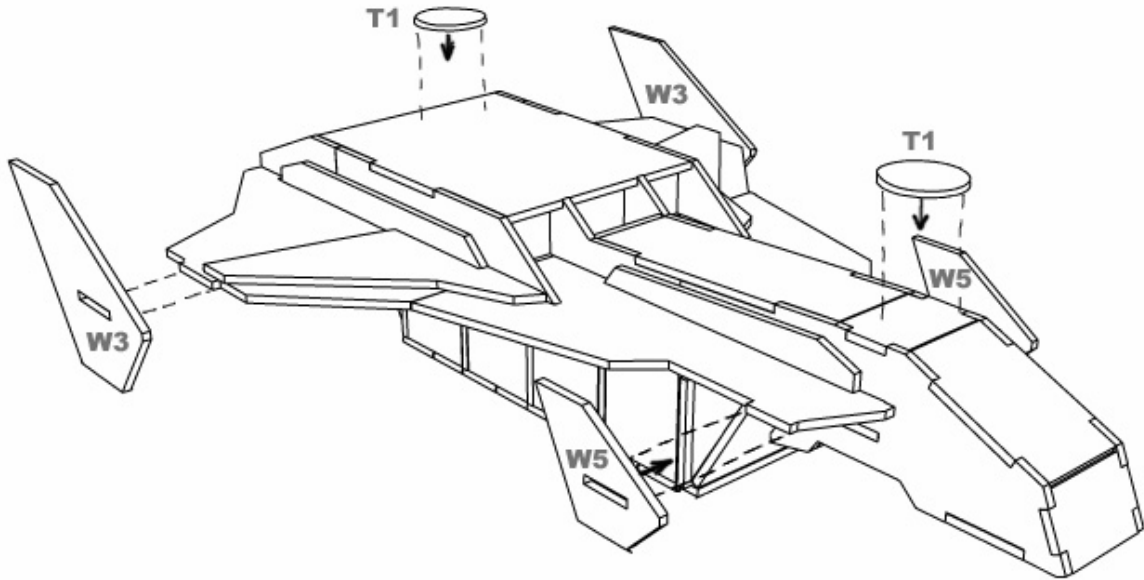
Step 24



Attach chin turret to underside of forward fuselage. Turret parts and details are at the builder's discretion. Slide the CAV bay assembly into place.

Optional: The bay assembly is designed to be interchangeable if the builder wishes to construct alternate bay configurations. The bays can also be glued in place permanently. If interchangeable bays are to be used, one main wing fin must remain removable to allow room for the bays to slide out.

Step 25



Attach weapon turrets as desired. Glue forward fins (W5) into place. Attach main fins (W3).

Optional: To reduce the chance of breaking during storage or transport, main fins may be kept removable. If the CAV bay assembly is to be removable, at least one fin must be attached without glue.